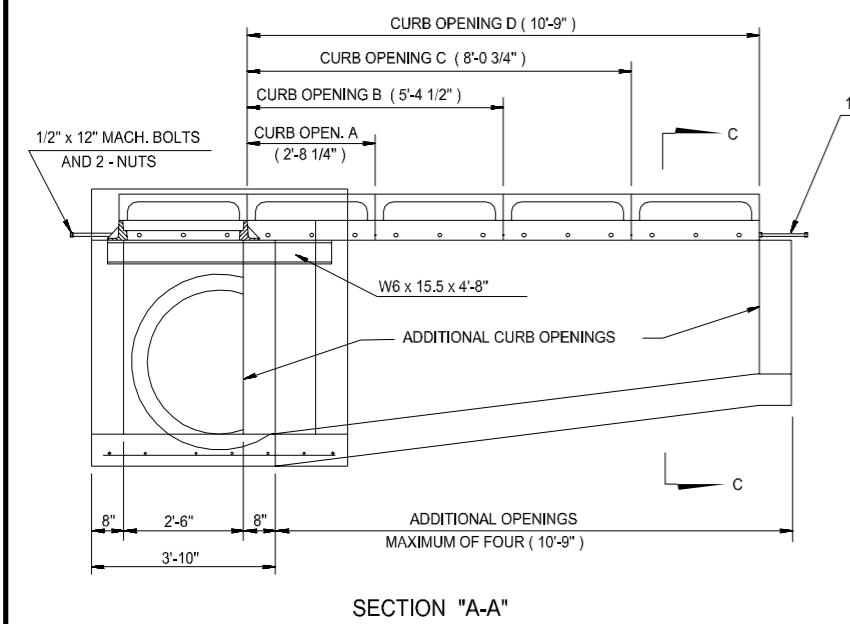
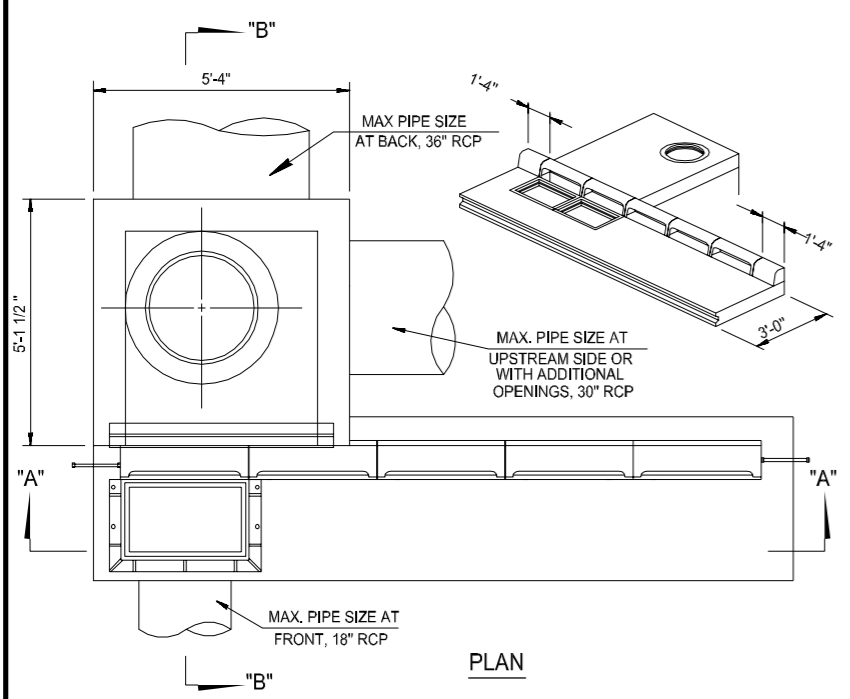
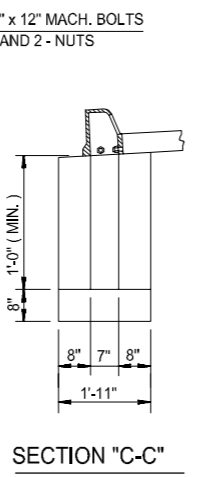
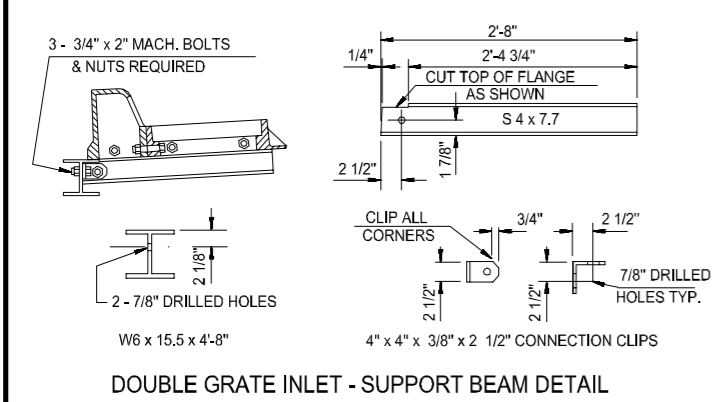


OKLAHOMA DEPARTMENT OF TRANSPORTATION					
FED. ROAD DIST. NO.	STATE	STATE JOB NO.	FISCAL YEAR	SHEET NO.	TOTAL SHEETS
4	OKLA	17020(07)		35	
DESCRIPTION			REVISIONS		DATE

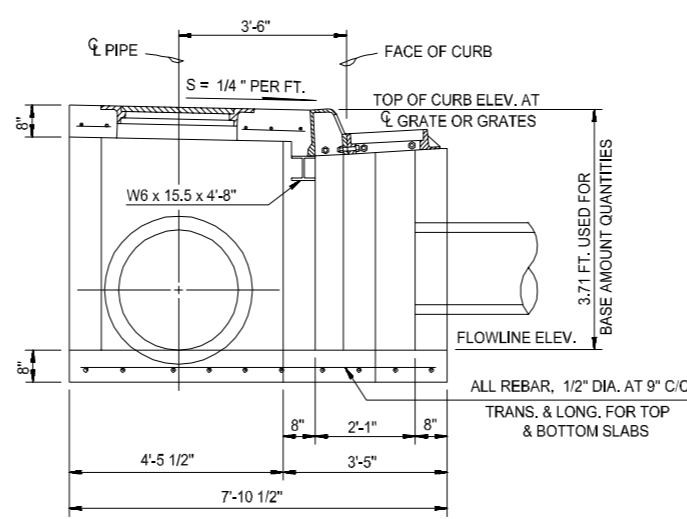
QUANTITIES FOR INLETS							
INLET DESIGN	CURB OPENING DESIGNATION	CLASS "A" CONCRETE CU. YD.	INLET		INLET FRAME & GRATE EACH	CAST IRON CURB INLET EACH	MH FRAME & COVER EACH
			BASE AMT.	ADD'L. C.F. PER VERT. FT.			
1 WITH SMALL JUNCT. BOX	"A"	1.50	43.56	15.84	1	1	1
	"B"	1.60	47.34	17.43	1	2	1
	"C"	1.73	55.44	21.03	1	3	1
	"D"	1.86	62.26	24.63	1	4	1
2 WITH SMALL JUNCT. BOX	"A"	1.70	47.84	17.40	2	2	1
	"B"	1.83	57.01	21.00	2	3	1
	"C"	1.96	64.86	24.60	2	4	1
	"D"	2.08	71.70	28.20	2	5	1
1 WITH LARGE JUNCT. BOX	"A"	2.11	50.44	18.34	1	1	1
	"B"	2.21	54.22	19.93	1	2	1
	"C"	2.34	62.32	23.53	1	3	1
	"D"	2.47	69.14	27.13	1	4	1
2 WITH LARGE JUNCT. BOX	"A"	2.60	74.91	30.73	1	5	1
	"A"	2.31	54.72	19.90	2	2	1
	"B"	2.43	63.89	23.50	2	3	1
	"C"	2.57	71.74	27.10	2	4	1
2 WITH LARGE JUNCT. BOX	"A"	2.69	78.58	30.70	2	5	1
	"B"	2.82	84.16	34.30	2	6	1
	"C"						
	"D"						



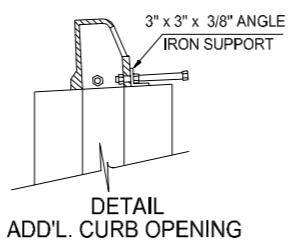
SINGLE GRATE CURB INLET WITH JUNCTION BOX
(DESIGN 1-D W/ SMALL JUNCTION BOX SHOWN)



SECTION "C-C"

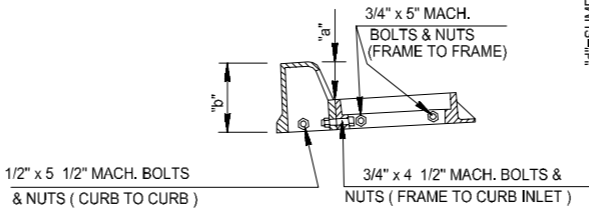


SECTION "B-B"



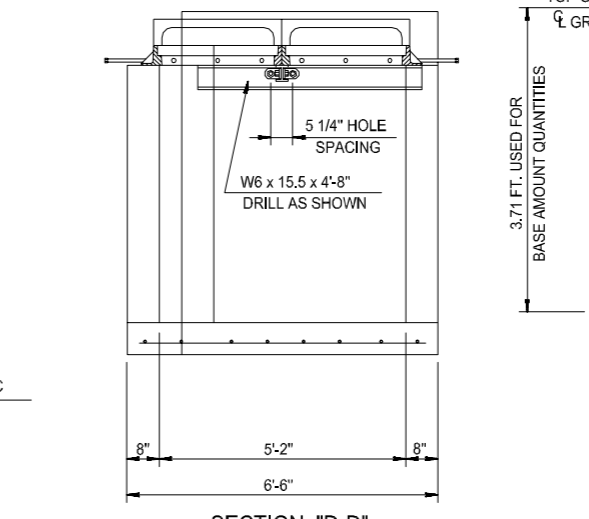
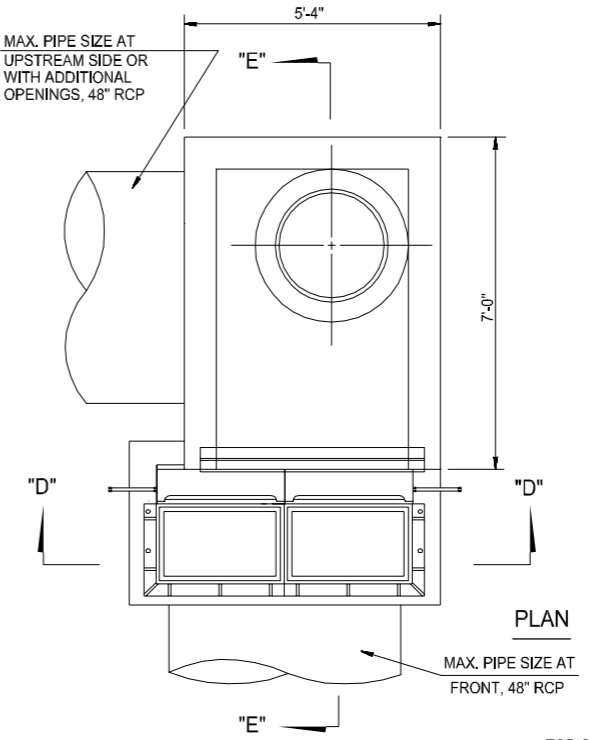
DETAIL ADD'L. CURB OPENING

ANGLE IRON LENGTHS	
OPENING	LENGTH
"A"	2'-5 3/8"
"B"	5'-1 5/8"
"C"	7'-9 7/8"
"D"	10'-6 1/8"

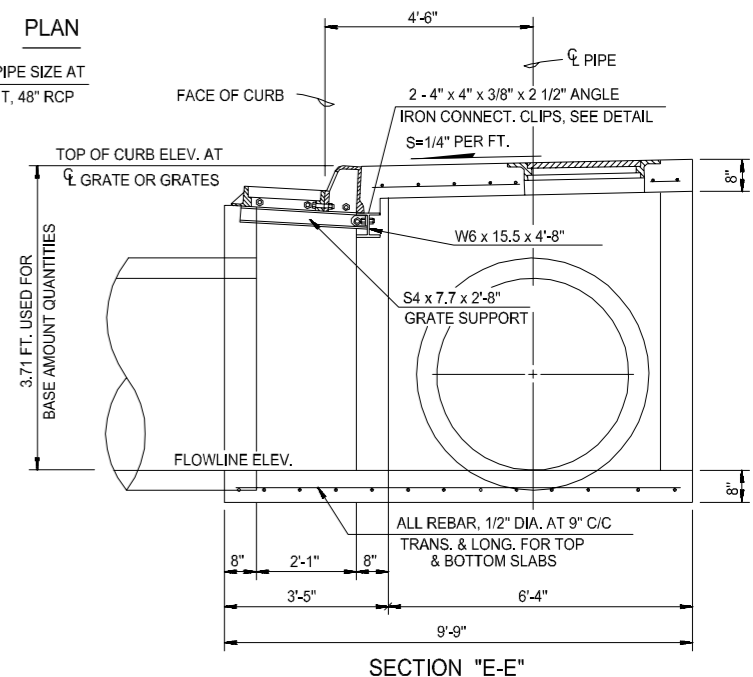


FRAME AND CURB DETAILS

C. I. CURB HEIGHTS		
TYPE	"a"	"b"
4" MOUNTABLE	4 1/2"	9 1/2"
6" MOUNTABLE	6 1/2"	11 1/2"
6" BARRIER	6 1/2"	11 1/2"
8" BARRIER	8 1/2"	13 1/2"



SECTION "D-D"



SECTION "E-E"

DOUBLE GRATE CURB INLET WITH JUNCTION BOX
(DESIGN 2 WITH LARGE JUNCTION BOX SHOWN)

BASIS OF PAYMENT		
ITEM NO.	ITEM	UNIT
611.06	(#) INLET W/SMALL JUNCTION BOX	EACH
611.06	(#) INLET W/LARGE JUNCTION BOX	EACH
611.06	(#) INLET W/SMALL JUNCTION BOX (ADD'L DEPTH)	VERT. FT.
611.06	(#) INLET W/LARGE JUNCTION BOX (ADD'L DEPTH)	VERT. FT.
611.06	(#) INLET FRAME AND GRATE	EACH
611.06	(#) MANHOLE FRAME AND COVER	EACH
611.06	(#) CAST IRON CURB INLETS	EACH

INLET DESIGN NO. (FULL DESCRIPTION) SHALL BE SPECIFIED, I.E., DESIGN 2(2B)
INLET DESIGN NO. SHALL BE SPECIFIED, I.E., DESIGN 1 or DESIGN 2
18" THRU 30" LONGITUDINAL PIPE REQUIRES SMALL JUNCTION BOX
36" THRU 48" LONGITUDINAL PIPE REQUIRES LARGE JUNCTION BOX

DESIGN	X	OKLAHOMA DEPARTMENT OF TRANSPORTATION	
DRAWN	CWT	<p align="center">STANDARD DETAILS CICI - JUNCTION BOXES</p>	
CHECKED	JDH		
APPROVED	JDH		
SQUAD	Tt		
		STATE JOB NO. 17020(07)	SHEET NO. 35
		CITY PROJECT R-1311B	GARFIELD COUNTY

5/1/2017 3:19:57 PM - P:\2772\131-2772-3001\CAD\SH\FILES\CLEVELAND BLVD PLANS\DETAILS.DWG - SCHUMACHER, MIKE